

TRAFCON

MB SERIES

Vehicle Mounted Advance Warning Panels

Wireless Remote Available



Controller and Remote



MB5
48" x 96"



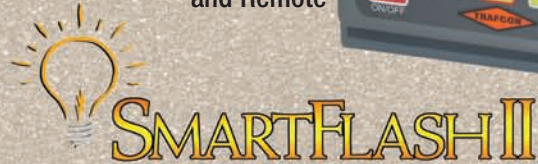
MB4
36" x 72"



MB3
30" x 60"



MB1
24" x 48"



All Models Available with Manual or Powertilt Option.



Pulse Burst Lamp Technology

TRAFCON PRODUCTS
DISTRIBUTED BY

TRAFCON INDUSTRIES INC.

81 TEXACO ROAD, MECHANICSBURG, PA 17050 • 717-691-8007 • FAX 717-697-0813 • WWW.TRAFCON.COM

MB SERIES

**Vehicle Mounted
Advance Warning Panels**

"Custom Mounts - Our Specialty"
contact us with your specifications

FEATURES

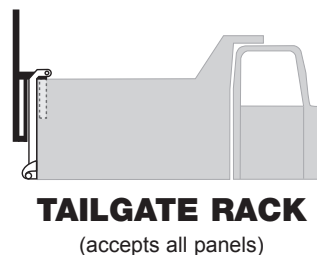
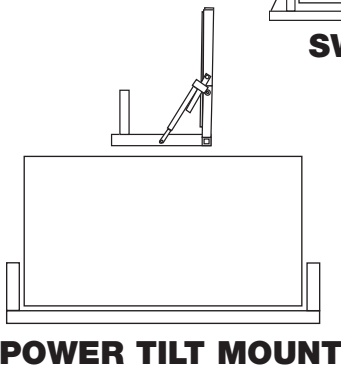
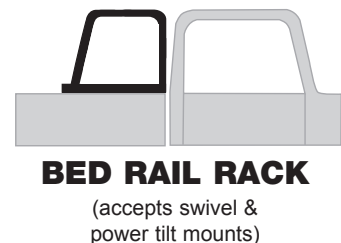
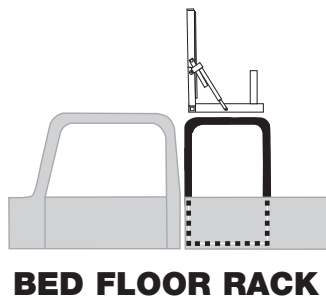
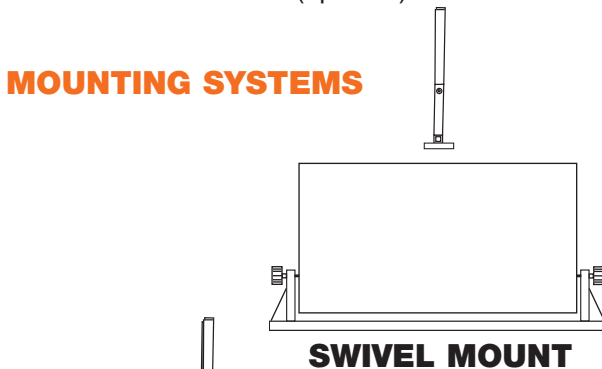
SIGN PANEL

- Lamp hoods fastened with stainless steel machine screws into insertion nuts - eliminates loose hood condition
- Neoprene gaskets between lamps and sign panel - less vibration - extends lamp life
- Aluminum frame - all welded construction with mid-panel bracing
- 30' remote harness - allows for mounting on most vehicles - additional and custom lengths available

CONTROL SYSTEM AND CIRCUITRY

- Automatic short circuit protected lamp circuits
- Reverse polarity protection
- Self diagnostic
- Default caution mode
- Touch pad controls
- Back-lit LCD display
- Visual and audible low battery alarm
- Wireless remote control (optional)

MOUNTING SYSTEMS



STANDARD SPECIFICATIONS

SIGN PANEL

- Construction - sandwich type
- Material - aluminum
 - front and back panels - .063" sheet
 - framework welded 3" x 1" x 125" extruded aluminum channel
- Lamps - PAR36 or PAR46 incandescent, LED and Pulsar upgrade
- Hoods - 360 degrees high impact plastic
- Harness - 30'

CONTROL SYSTEM

- Voltage - 12V nominal - negative ground
- Circuitry - microprocessor, solid state
- Protection - automatic short circuit/reverse polarity
- Dimming - automatic

MOUNTS

- Manual tilt models 3" x 1" x .125" extruded aluminum channel
- Power tilt models 1 3/4" x 1 3/4" x 1/8" steel tubing w/ 12v linear actuator
- Construction - full welded
- Gutter mounting available for vans